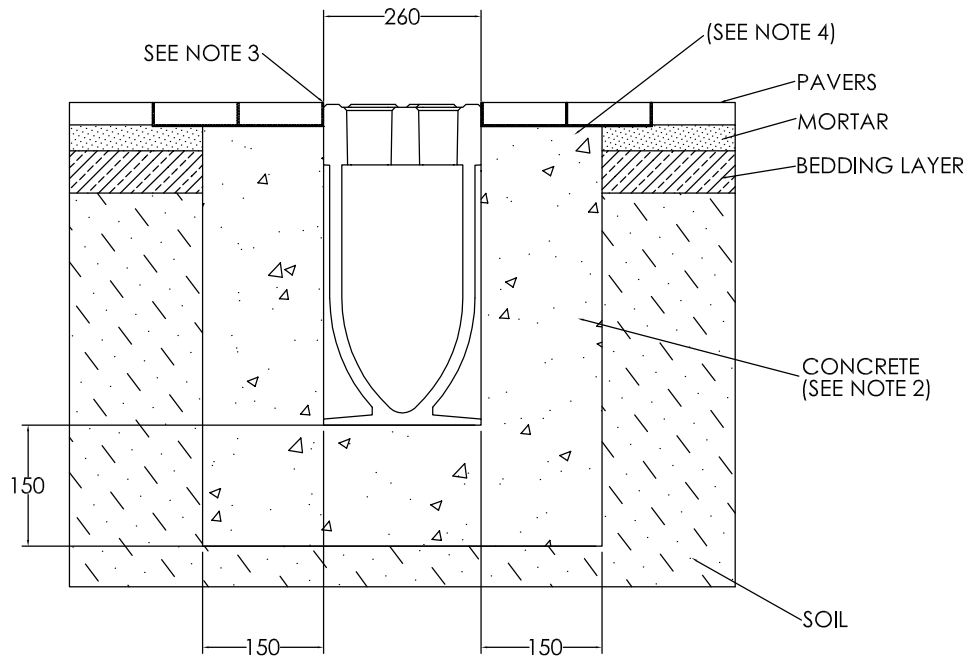


<b>ACO INFRASTRUCTURE</b> DRWG# XIRD-DP1 www.acoaus.com.au	<b>INSTALLATION DRAWING</b> <b>RD200V Load Class D: Pavers 1</b>	ACO Polycrete Pty Ltd 134-140 Old Bathurst Road Emu Plains NSW 2750 Tel: +61 2 4747 4000 Fax: +61 2 4747 4060 e: technical@acoaus.com.au



**NOTES:**

1. Specific site conditions may require an increase in these dimensions or reinforcement. It is the customer's responsibility to ensure the concrete encasement is designed for the application. *Engineering advice may be required.*
2. A minimum concrete strength of 25MPa is recommended. The concrete should be vibrated to eliminate air pockets.
3. The finished level of the concrete surround must be approx. 3mm above the top of the channel edge.
4. The paver course adjacent to the channel edge must be fully bonded to the concrete surround.
5. Refer to ACO's latest installation instructions for complete details.

<b>ACO INFRASTRUCTURE</b> DRWG# XIRD-DP1 www.acoaus.com.au	<b>SPECIFICATION CLAUSE</b> <b>RD200V Monoblock System</b>	ACO Polycrete Pty Ltd 134-140 Old Bathurst Road Emu Plains NSW 2750 Tel: +61 2 4747 4000 Fax: +61 2 4747 4060 e: technlcal@acoaus.com.au

The grated trench drainage system shall be ACO's **Monoblock RD200V** system as manufactured by ACO Polycrete Pty Ltd.

ACO's **Monoblock RD200V** polymer concrete channel is a monolithic one piece channel with no removable parts.

The constant depth system shall be complete with large, high capacity inlet slots (65mm x 47mm) to reduce blockage and is bicycle wheel compliant to AS 3996 in both directions.

ACO's **Monoblock RD200V** channels shall be connected to an **RD200V** in-line pit or **RD200V** access unit.

**RD200V** access units and/or **RD200V** in-line pits are to be positioned at the ends of the drain and at intermediate intervals to allow access through removable **Slotted Iron** grate with the **PowerLok** boltless locking system for the effective cleaning and maintenance of the drain during service.

All materials and components within the scope of this system shall be obtained from this manufacturer and the work shall be carried out as specified on the drawings.

The system shall be installed in accordance with the manufacturer's printed instructions.