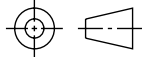
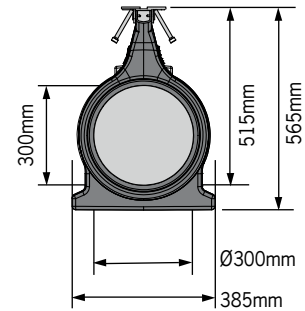
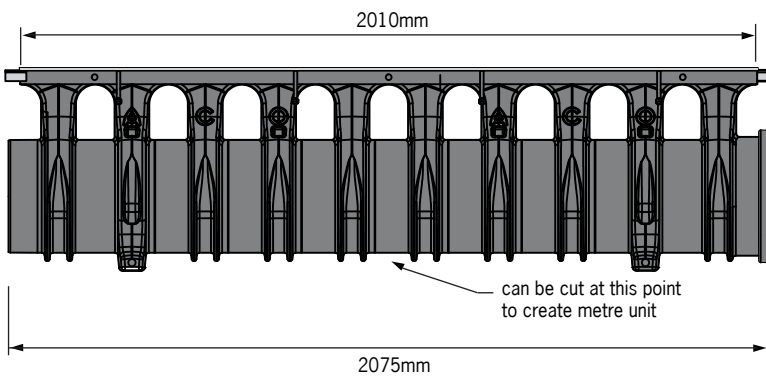
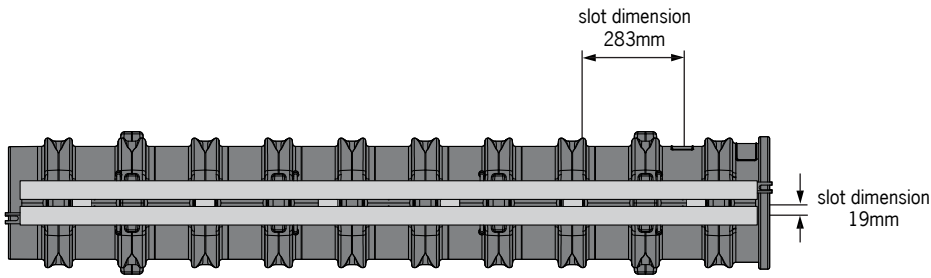


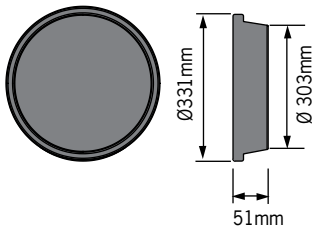
Qmax - 300 channel with Q-Flow galvanised steel slot



Two metre channel



End cap



ACO Specification Information

# ACO INFRASTRUCTURE

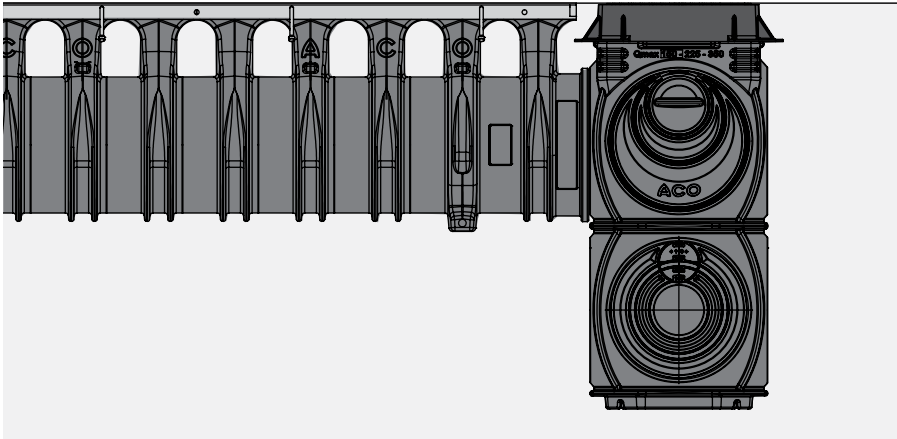
## Qmax - 300 channel with Q-Flow galvanised steel slot



ACO Specification Information

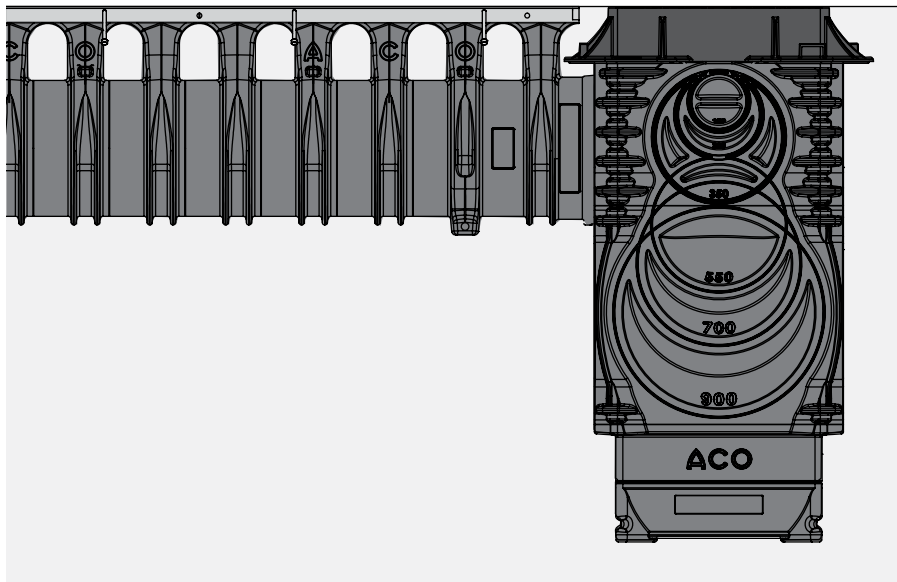
Description	Part No.	Invert mm	Wgt kg
Qmax 300 channel with Q-Flow galvanised steel slot - 2.01m	296026	515	29.0
<b>Accessories</b>			
Qmax 300 End cap	143130	-	0.34

### Typical Qmax 300 connection to pit



Qmax 300 channel

Qmax 225/350 Pit -see appropriate Spec Info



Qmax 300 channel

Qmax Universal Pit -see appropriate Spec Info

### Specifications

#### General

The surface drainage system shall be ACO Qmax 300 with galvanised steel Q-Flow top as manufactured by ACO Pty Ltd. or equal approved.

#### Materials

The trench system bodies shall be manufactured from polyethylene with:

Compressive strength: 58,250 kN/m<sup>2</sup>  
 Flexural strength: 15,350 kN/m<sup>2</sup>  
 Water absorption 0.31%

The nominal clear opening shall be 300mm with unit overall width of 385mm. Units shall be manufactured with a neutral invert of 515mm. Each unit will feature a full radius in the channel bottom and a male to female interconnecting end profile, a rubber seal shall be fitted to the bell end of the channel unit. Units shall have molded anchoring features on the outside wall to ensure maximum mechanical bond to the surrounding bedding material and pavement surface.

#### Grate Unit

Grates shall be factory fitted to PE bodies to provide a monolithic unit. Water intake area per 2 metre unit will be 32,262mm<sup>2</sup>.

#### Pit

See appropriate spec info for pit information.

#### Installation

The trench drain system shall be installed in accordance with the manufacturer's installation instructions and recommendations.

**ACO Pty Ltd**  
**Australia**  
 Ph: 1300 765 226  
[www.acoaus.com.au](http://www.acoaus.com.au)  
[sales@acoaus.com.au](mailto:sales@acoaus.com.au)

© March 2022 ACO Pty Ltd. All reasonable care has been taken in compiling the information in this document. All recommendations and suggestions on the use of ACO products are made without guarantee since the conditions of use are beyond the control of the company. It is the customer's responsibility to ensure that each product is fit for its intended purpose and that the actual conditions are suitable. ACO Pty Ltd. pursues a policy of continuous product development and reserves the right to amend specifications without notice.

